



DENGLONG T GR IN
by Neri&Hu, 2016



Suspension lamp. Graphite lacquered aluminium structure and steel mesh. Top disc in gold lacquered aluminium. Fiberglass diffuser. Led module included.

Type: Suspension lamp

Environment: Indoor

Structure: Aluminium

Diffuser: Fiberglass

Voltage: 230V


Supply: Terminal strip

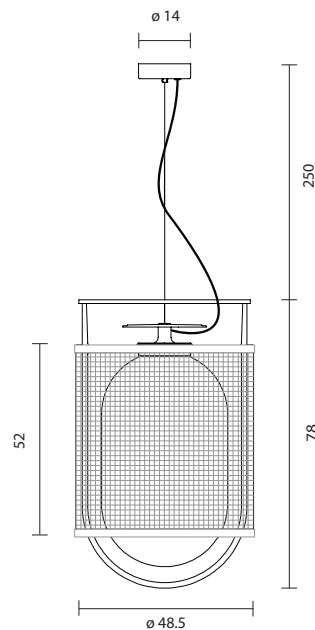
Cable length: 250 cm



Light source: Module LED $\varnothing 70$ 16.6W 2700K 1350Lm

DENGLONG T GR IN

137000600020 graphite lacquered

 12 kg
15 kg



CE   IP-20



DENGLONG T GR OUT
by Neri&Hu, 2016



Suspension lamp. Graphite lacquered aluminium structure and steel mesh. Top disc in gold lacquered aluminium. Fiberglass diffuser. Led module included.
Type: Suspension lamp

Environment: Outdoor

Structure: Aluminium

Diffuser: Fiberglass

Voltage: 230V

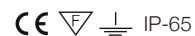
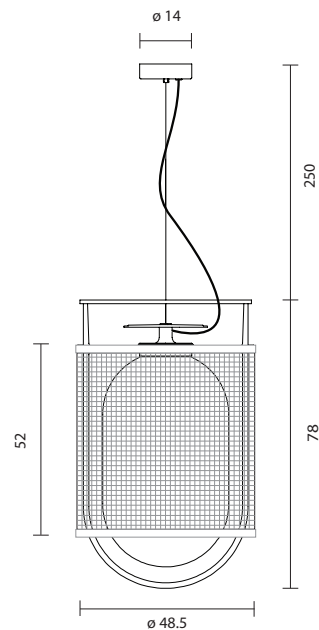
Supply: Terminal strip

Cable length: 250 cm

Light source: Module LED $\phi 70$ 16.6W 2700K 1350Lm

DENGLONG T GR OUT

502000600020 **graphite lacquered**  **12 kg**
15 kg





DENGLONG T PE IN

by Neri&Hu, 2016



Suspension lamp. Graphite lacquered aluminium structure and steel mesh. Top disc in gold lacquered aluminium. Fiberglass diffuser. Led module included.

Type: Suspension lamp

Environment: Indoor

Structure: Aluminium

Diffuser: Fiberglass

Voltage: 230V

Supply: Terminal strip

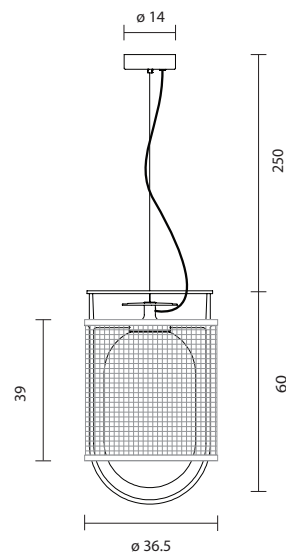
Cable length: 250 cm



Light source: Module LED $\varnothing 46$ 8.5W 2700K 680Lm

DENGLONG T PE IN

136000600020 graphite lacquered

 6 kg
8 kg



CE   IP-20



DENGLONG T PE OUT
by Neri&Hu, 2016



Suspension lamp. Graphite lacquered aluminium structure and steel mesh. Top disc in gold lacquered aluminium. Fiberglass diffuser. Led module included.

Type: Suspension lamp

Environment: Outdoor

Structure: Aluminium

Diffuser: Fiberglass

Voltage: 230V

Supply: Terminal strip

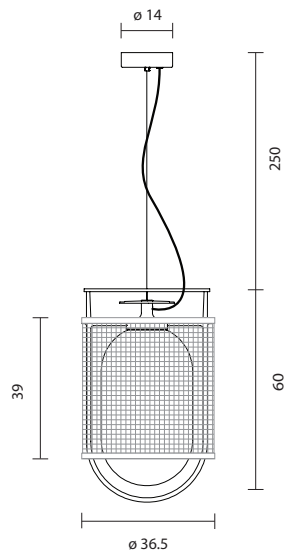
Cable length: 250 cm



Light source: Module LED ø46 8.5W 2700K 680Lm

DENGLONG T PE OUT

501000600020 graphite lacquered

 6 kg
8 kg



CE   IP-65