

inédit

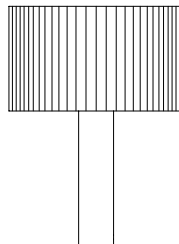
LIGHTING

Moragas

Antoni de Moragas, 1957

Table lamp

NUEVO ESTILO AWARD, 1992



At the ripe old age of forty-four, rationalist architect and the first chairman of the FAD Industrial Design Association Antoni de Moragas Gallissà (1913-1985) conceived this lamp to use in his own professional office.

A large solid wood cylinder holds aloft a luminous head with three bulbs providing a well-distributed source of light, all covered by a substantial circular shade. The white cotton ribbon of this shade is typically used for bookbinding and has a silk thread running along the edge, providing an asymmetry that generates warm light and shade effects against the light.

By all accounts, Moragas had this lamp on his desk and regularly used it to place notes and cards marking the visits he'd just received, placed in between the folds in the ribbon.

GENERAL DESCRIPTION

Sapele wood leg.

Natural cotton ribbon lampshade with silk border.

Electric cable length: 2,25 m / 88.6"

LIGHT SOURCE

Recommended light sources

(adjustable):

3 x LED bulb: 6 W

3 x Compact fluorescent: 11 W

3 x Incandescent: Máx. 40 W

E27 - E26

(Max. hgt. 115 mm / 4.5")

Light source not included.

Dimmer included.

Compatible with bulbs of the Energy efficiency class (E.E.C):

A++... E.

Suitable only for indoor use.

Always use the light source recommended or equivalent.

Input voltage : 100, 120, 230 Vac.

(50 Hz / 60 Hz). According to destination.

APPROXIMATE WEIGHT (unpacked)

4,4 Kg / 9.7 lb

inédit

LIGHTING

REGULATIONS

CE

IP 20

UNE-EN 60598

UNE-EN 55015

UNE-EN 60529



Non-class 2

Dry location only

UL-153

E-352592

MAINTENANCE

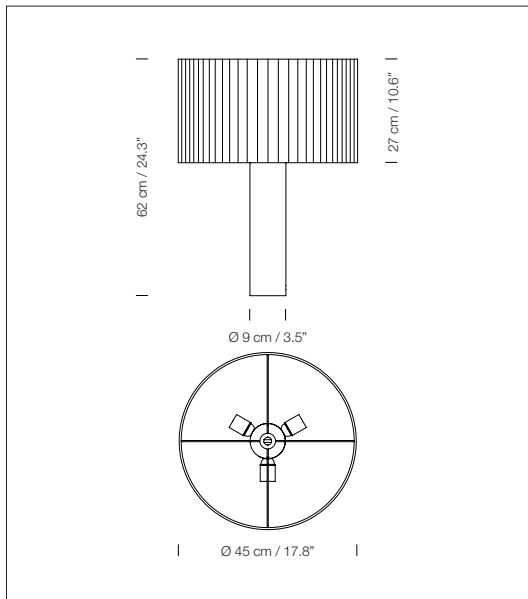
Clean with a smooth cloth. Do not use ammonia, solvents or abrasive cleaning products.

OTHERS

The lamp is delivered in different packages.

The assembly instructions are delivered with the product.

MODEL



COLLECTION

Table lamp

Furniture



Moragas



Moragas