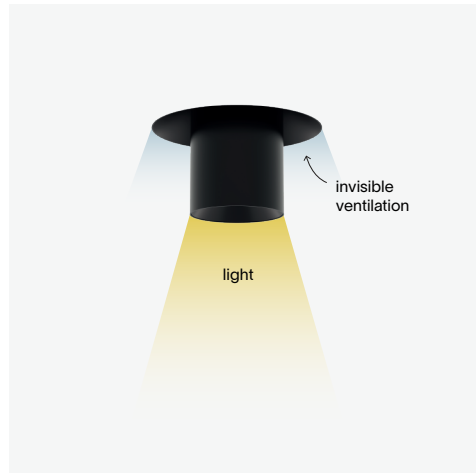
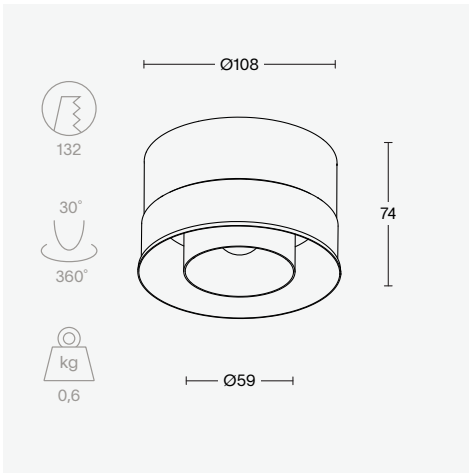


light + ventilation short

prado



light specs

lamp	LED
reflector	glass lens
driver	excluded
IP	65
CRI	90+
class	III

ventilation specs

type	air extraction
air flow	max. 50m ³ /h
pressure	7 - 75 Pa
noise level	< 25 dB(A)
adjustment	32 steps
lock mechanism	integrated

luminaire output

	2700K			3000K		
	25°	40°	60°	25°	40°	60°
350mA (5.7W)	420 lm	585 lm	585 lm	460 lm	645 lm	645 lm
500mA (8.5W)	555 lm	730 lm	730 lm	610 lm	805 lm	805 lm

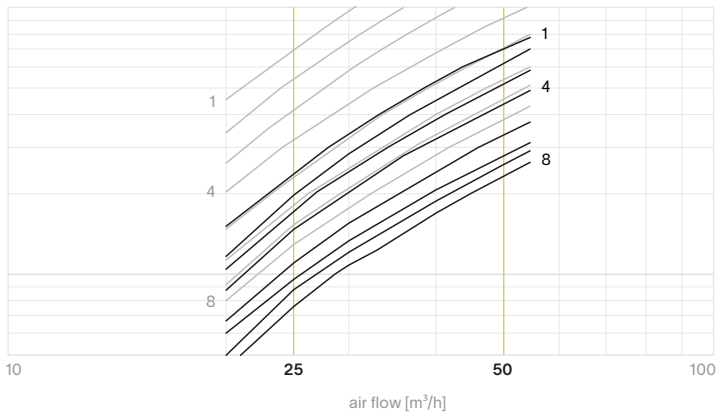
order number

	2700K			3000K		
	25°	40°	60°	25°	40°	60°
black ano.	8000 - 1013	8000 - 2248	8000 - 2249	8000 - 1014	8000 - 2250	8000 - 2251
white struc.	8000 - 1015	8000 - 2256	8000 - 2257	8000 - 1016	8000 - 2258	8000 - 2259

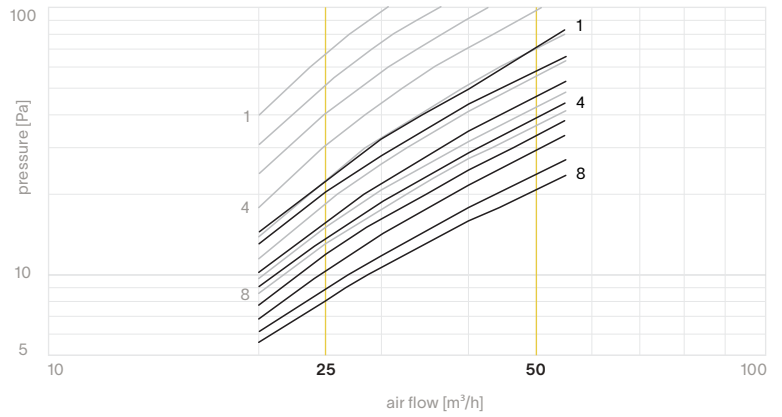
light + ventilation short

ventilation - capacity graphs

air extraction



air supply*



— with 25m³/h ring

— without 25m³/h ring

*downward airflow not suited for installation in or above comfort zones

accessoires

installation

8000 - 0001	plaster ring Ø108
8000 - 0011	clt csc ring Ø108

drivers

8000 - 0021	DALI dimmable driver 38W
8000 - 0022	1-10V dimmable driver 36W
8000 - 0023	non-dimmable driver 42W
8000 - 0026	DALI dimmable driver 60W
8000 - 0027	DALI deep dim driver 20W