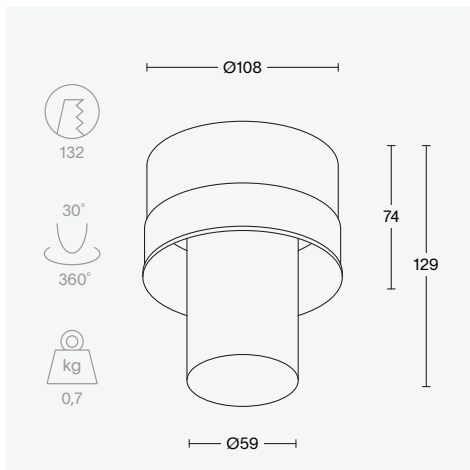


# light + motion + ventilation trimless

prado



## light specs

<b>lamp</b>	LED
<b>optics</b>	diffusor
<b>driver</b>	excluded
<b>IP</b>	↓ 65 ↑ 20
<b>CRI</b>	90+
<b>class</b>	III

## motion specs

<b>motion detector</b>	passive infrared sensor (PIR)
<b>detection angle</b>	h 360 v 100
<b>light sensor</b>	integrated
<b>master / slave</b>	integrated
<b>adjustability</b>	time - sens - lux
<b>other</b>	patent pending

## ventilation specs

<b>type</b>	air extraction
<b>air flow</b>	max. 50m <sup>3</sup> /h
<b>pressure</b>	7 - 75 Pa
<b>noise level</b>	< 25 dB(A)
<b>adjustment</b>	32 steps
<b>lock mechanism</b>	integrated

## luminaire output

	2700K	3000K	
<b>48V (8.2W)</b>	550 lm	550 lm	(black ano)
<b>48V (8.2W)</b>	700 lm	700 lm	(white struc)

## order number

	2700K	3000K
<b>black ano.</b>	8000 - 2166	8000 - 2167
<b>white struc.</b>	8000 - 2170	8000 - 2170

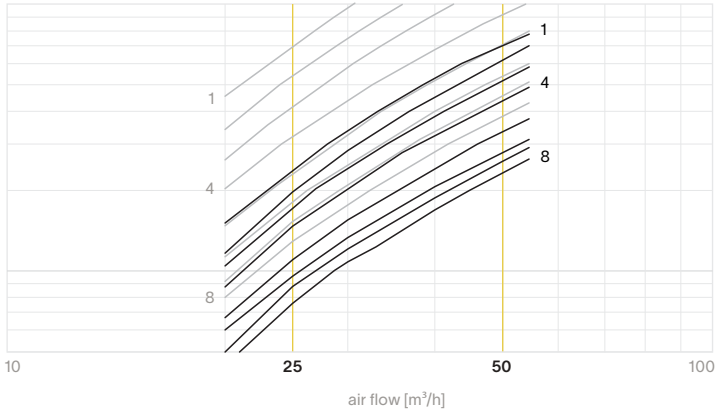
prado.eu

We reserve the right, without notice, to change technical details if these, in our opinion do not change appearance or function of the product.

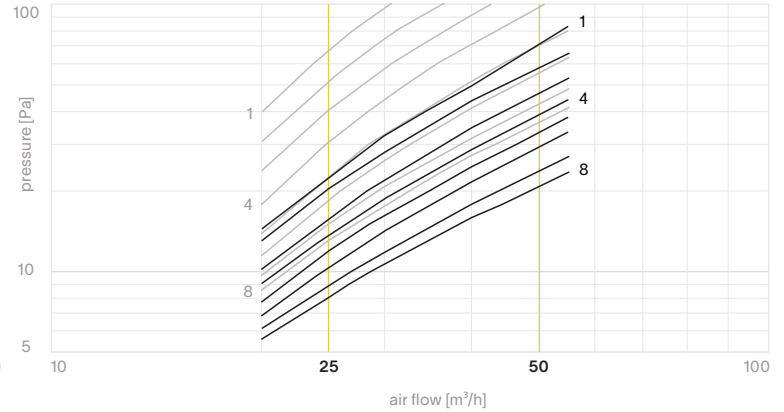
# light + motion + ventilation trimless

## ventilation - capacity graphs

### air extraction



### air supply\*



— with 25m³/h ring

— without 25m³/h ring

\*downward airflow not suited for installation in or above comfort zones

## accessoires

### installation

8000 - 0001	plaster ring Ø108
8000 - 0011	clt csc ring Ø108
8000 - 2174	master slave connector
8000 - 2175	external potential-free relay

### drivers

8000 - 0029	48V driver 15W constant voltage
8000 - 0024	48V driver 70W constant voltage
8000 - 0025	48V driver 150W constant voltage