

**inédit**

LIGHTING

**DATA SHEET**

**MOLTO LUCE®**

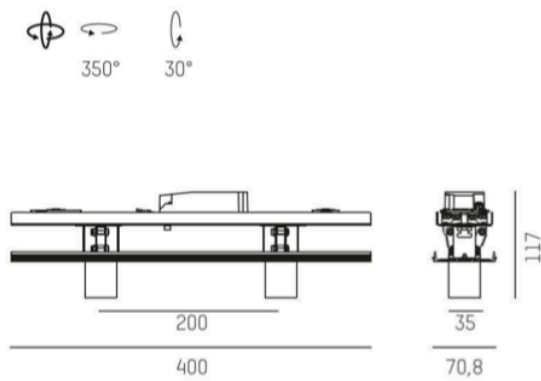
**TRIGGA**

**662-008050223550**

TRIGGA LOG 2.1 EINSATZ SYSTEM SPOTLIGHT made of aluminium, white matt, similar to RAL 9016, anti-glare LFO lens due to microfaceted structure beam 30°, light output direct, UGR <16, swiveling 350°, tilting 30°, with converter, max. 500mA, dimmable not dimmable, IP20



**DRAWING**

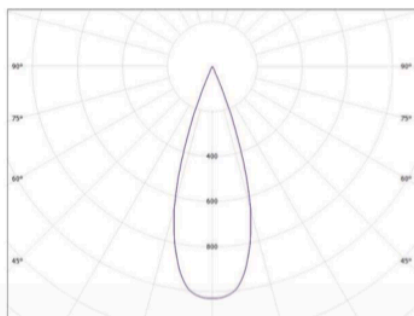


**TECHNICAL DETAILS**

System perform. [W]	15
Bulb type	LED
Luminous flux [lm]	600
Current sec. [mA]	500
Colour temp. [K]	2700K
CRI	>90
UGR	<16
Optics	LFO lens
Designer	Serge & Robert Cornelissen
Converter	with converter
Dimming	nicht dimmbar
Light output	direct
Beam angle [°]	30°
Voltage [V]	220-240V 50/60Hz
Material	aluminium

Length [mm]	400
Width [mm]	71
Height [mm]	117
IP protection class	IP20
Voltage class	protection cl. I
Net weight [kg]	1,80

**LIGHT DISTRIBUTION CURVE**



Color lamp	white matt
RAL	9016
EAN-Number	9008905745423
Lifetime [h]	L80 B10 50 000
No. of luminaires B16A	50